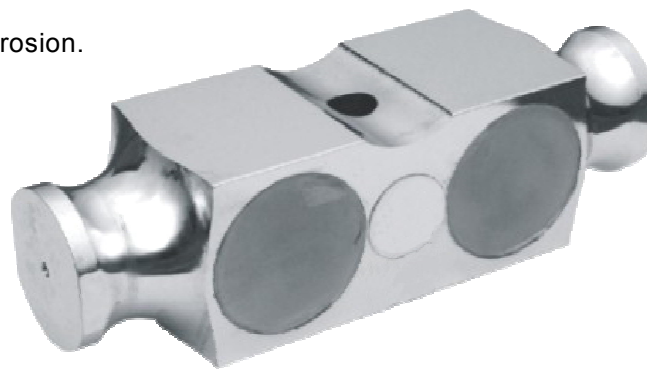




PZW66 Shear Beam Load Cell

Features

- Daul shear beam design, easy installation.
- Alloy steel construction, surface nickel plated treatment.
- Capacity: 50 klb to 200 klb.
- Sealed by adhesive inside, oil-proof, waterproof and anti-corrosion.
- Suitable for atrocious environment.
- Can be used in hazardous areas.



Applications

- Vehicle scales
- Tank weighing
- Hopper weighing
- Electronic weighing devices

Specifications

Parameter	Units	Data
capacity	klb	50, 60, 100, 125, 200
safe overload	%fs	150
ultimate overload	%fs	200
output sensitivity at fs	mV/V	3.0 ±0.04(standard)
zero unbalance	%fso	≤ ±1
combined error	%fs	≤ ±0.02
creep error (30 min.)	%fs	≤ ±0.02
excitation (supply voltage)	Vdc	10 (typical), 5, ..., 12
max. excitation voltage	Vdc	15
input resistance	Ω	720 ±30
output resistance	Ω	700 ±10
insulation resistance	MΩ	≥ 5000@50 Vdc
storage temp. range	°C	-35 ~ +65
operating temp. range	°C	-35 ~ +65
compensated temp. range	°C	-10 ~ +40
temp. coefficient of sensitivity	%fso/10°C	≤ ±0.02
temp. coefficient of zero	%fso/10°C	≤ ±0.03
load cell body material	/	alloy steel(standard),option: 17-4PH
mechanical interface	/	refer to the dimensions on the datasheets
electrical interface	/	Φ6.3mm, 4-conductor shielded, PVC jacket, length: 13m
environment protection	/	IP66(standard), IP67

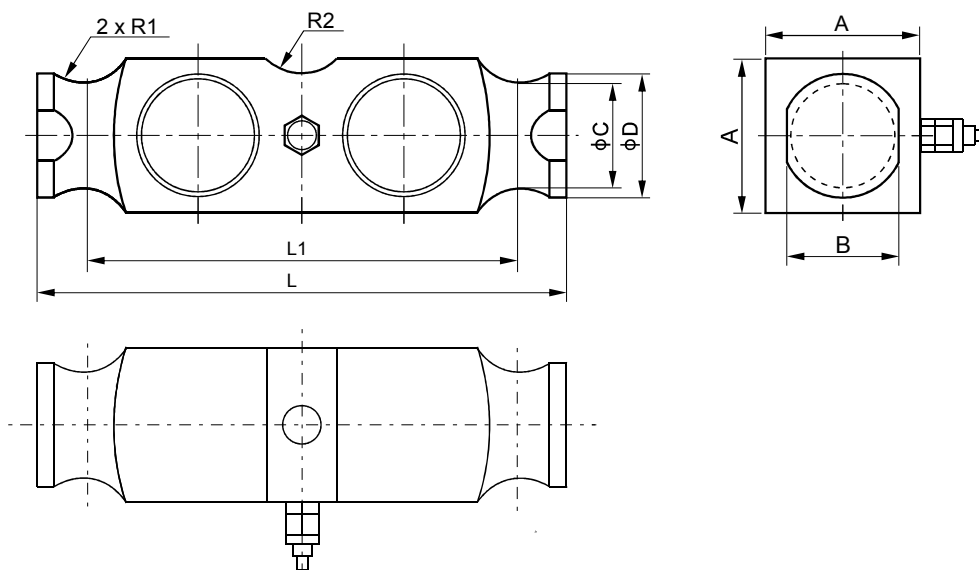
For customized capacity, please consult Proza.

Proza Electronic Technology



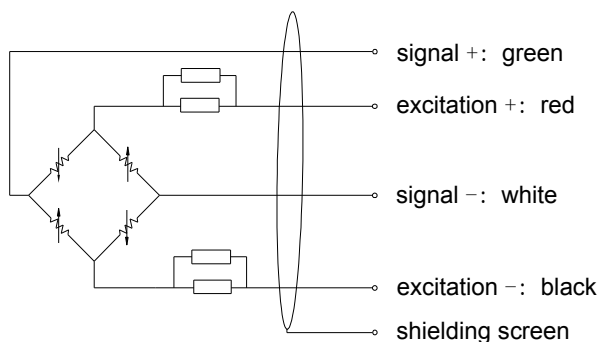
PZW66 Shear Beam Load Cell

Dimensions



cap. (klb)	L	L1	A	B	C	D	R1	R2
50, 60	260.35	215.9	76.2	55.88	52.32	60.96	25.4	25.4
100, 125	260.35	215.9	76.2	55.88	52.32	60.96	25.4	25.4
200	340.8	254.0	86.36	63.5	59.69	69.85	38.1	38.1

Electrical connection



Ordering Guide

ordering code:

model-capacity-output sensitivity-accuracy-cable length-(*customized parameter)

example:

PZW66-100klb-3mV/V-0.02%fs-13m

Proza Electronic Technology